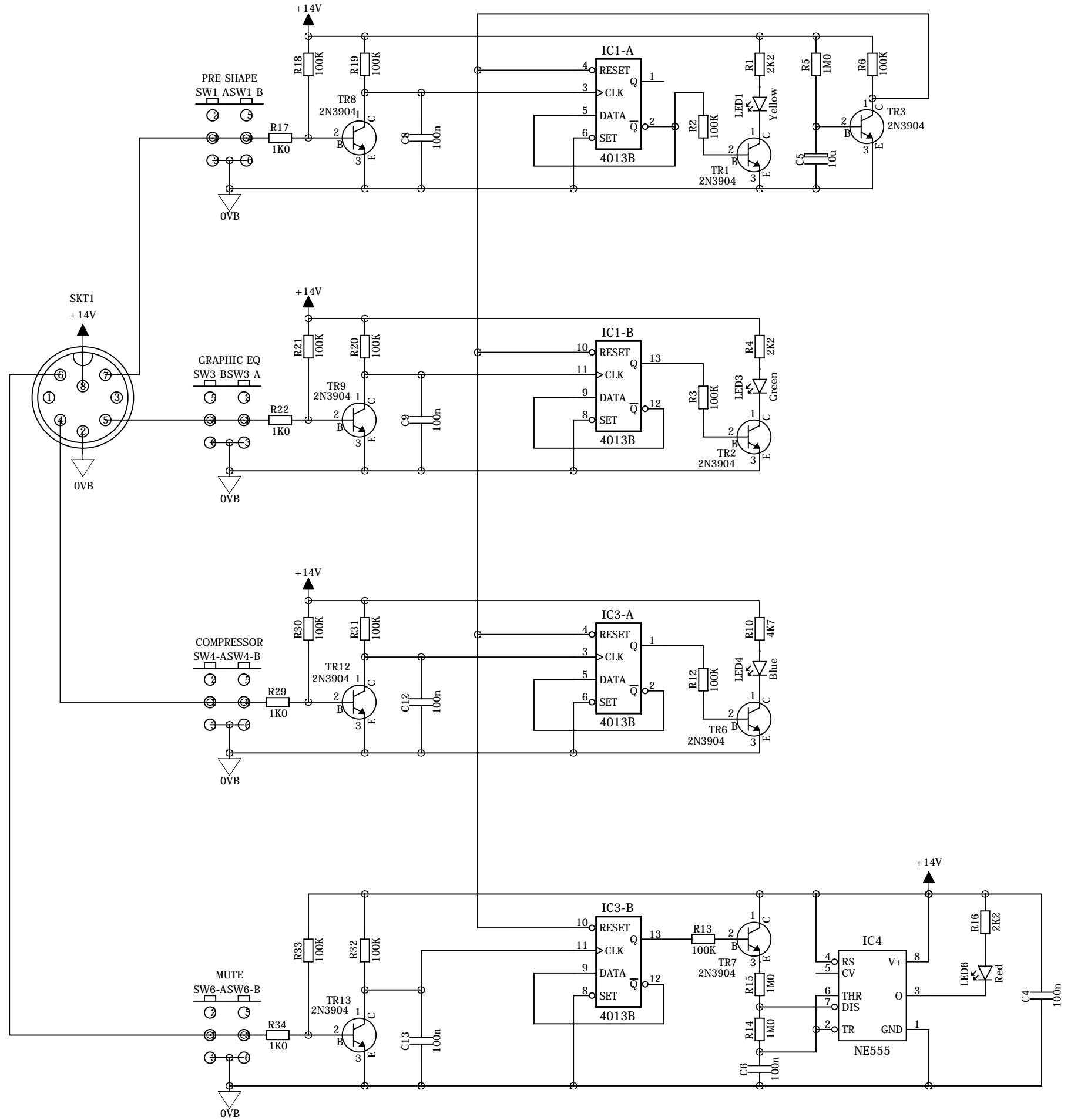
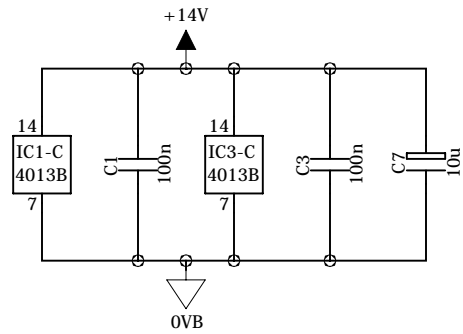


ISSUE CHANGE NOTE DATE	ISSUE CHANGE NOTE DATE	ISSUE CHANGE NOTE DATE
ISSUE CHANGE NOTE DATE	ISSUE CHANGE NOTE DATE	ISSUE CHANGE NOTE DATE



TITLE 4 Way Footswitch Schematic
 PROJECT 2005 Bass Amp Range
 DRAWING No PTE-CD006
 ISSUE 1
 DATE 5 July 2005
 DRAWN BY Paul Stevens

TRACE ELLIOT
 Product Design & Development
 Essex
 GREAT BRITAIN
 Tel: +44 (0) 777 151 3303
 pstevens@trace-elliott.co.uk